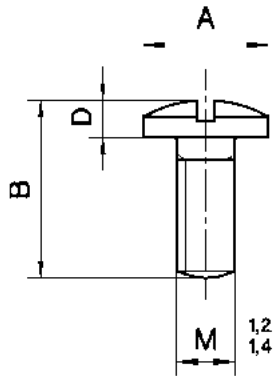


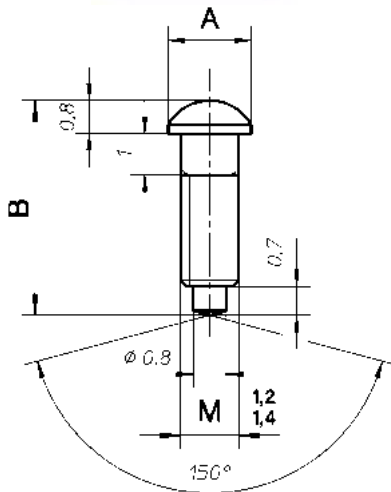


TYPE 1



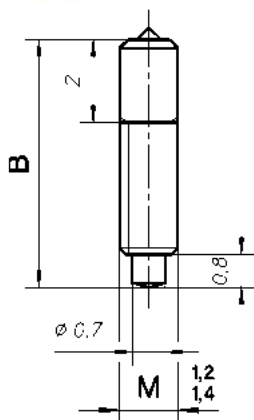
Mat. 1 = stainless steel

TYPE 2



Mat. 1 = stainless steel

TYPE 3



for spot welding

Mat. 2 = nickel silver

Mat. 3 = bronze

Details for ordering

TYPE	A	B	D	M	Mat.

