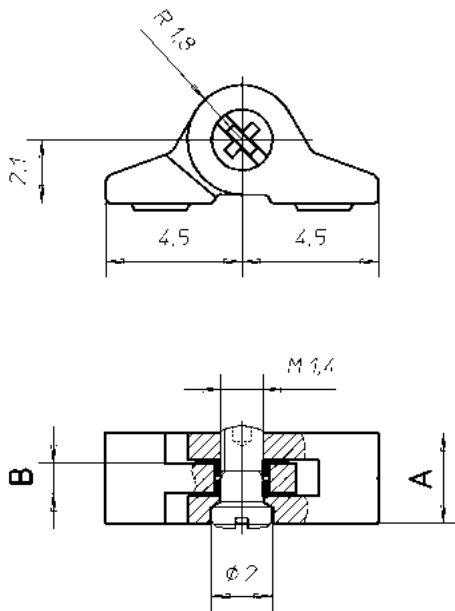



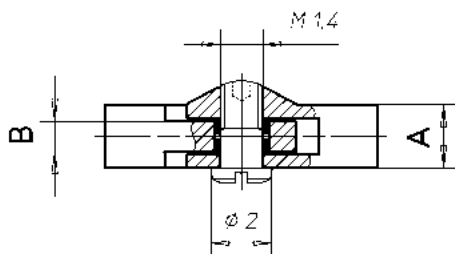



### Titanium Hinges for welding

All parts loose or screwed 180°  
Nickelsilver inlays for friction control



A	B	
2,5	1,0	08.1653.100
3,0	1,0	08.1654.100
3,5	1,2	08.1655.100



A	B	
2,1	1,0	08.1652.100